

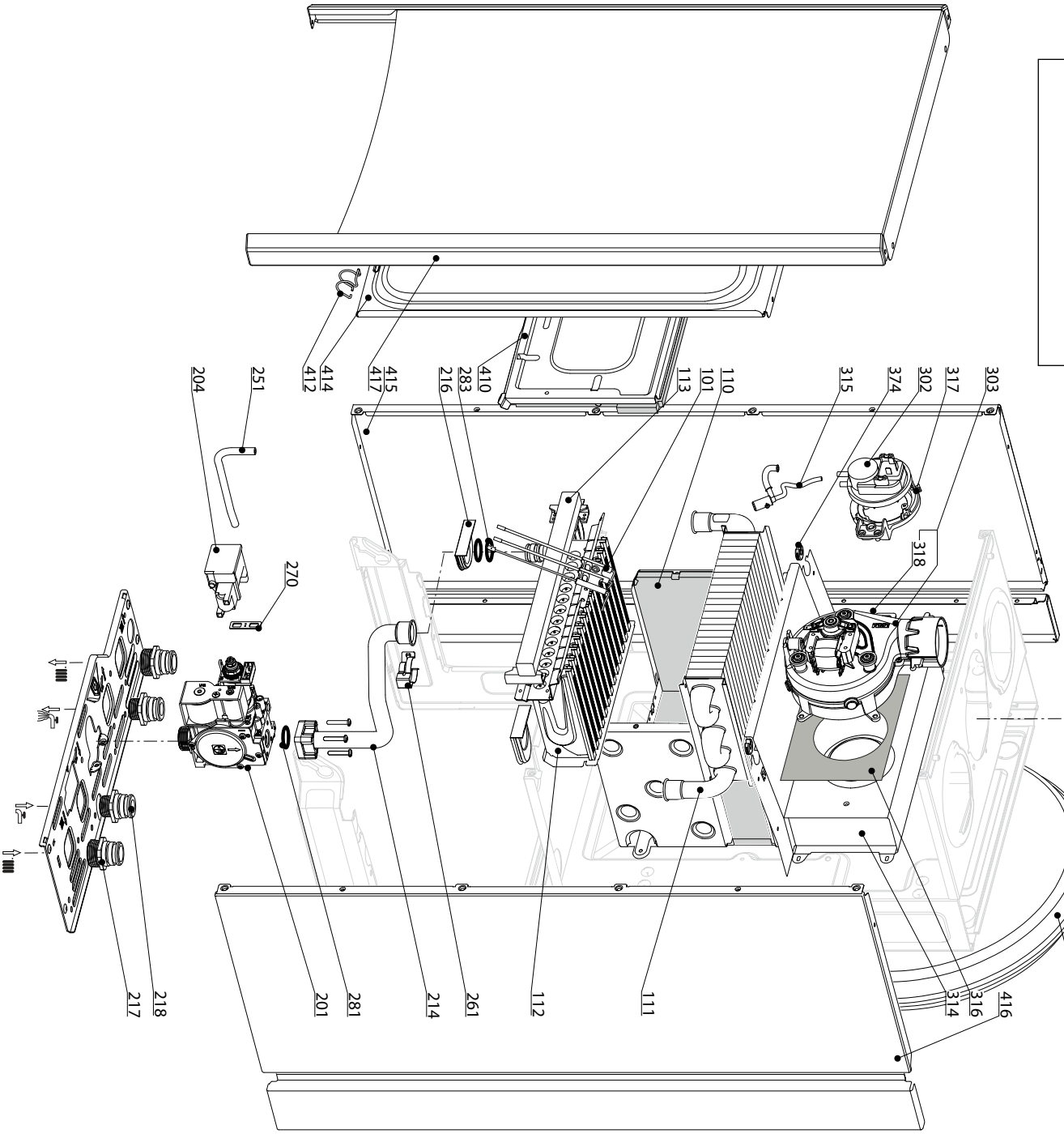
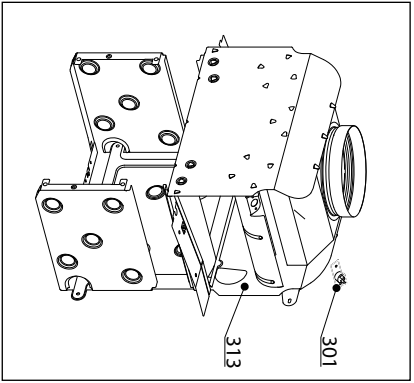
SPARE PARTS EXPLODED VIEW GAS-WALL BOILER ATM. BURNER

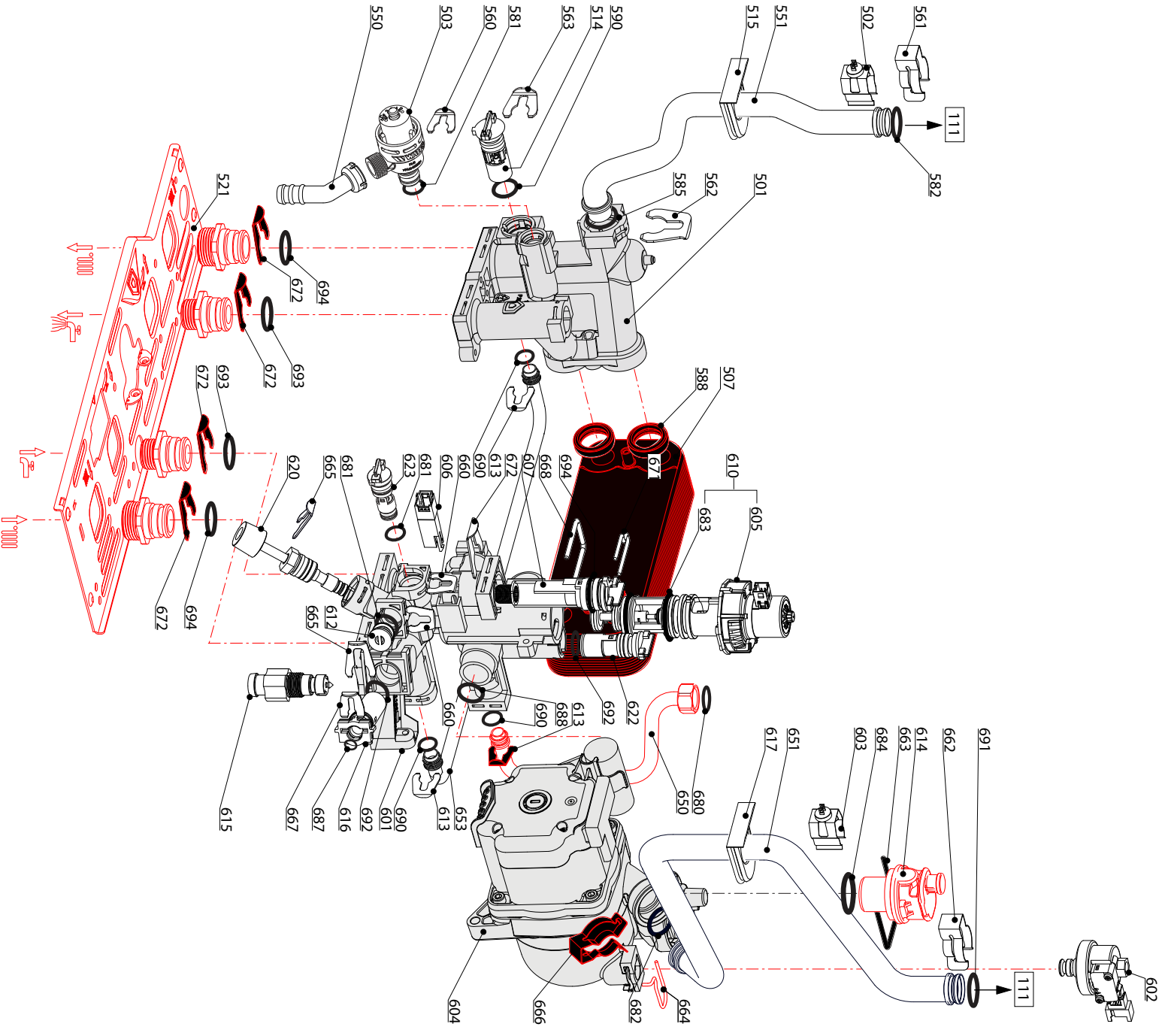
Model

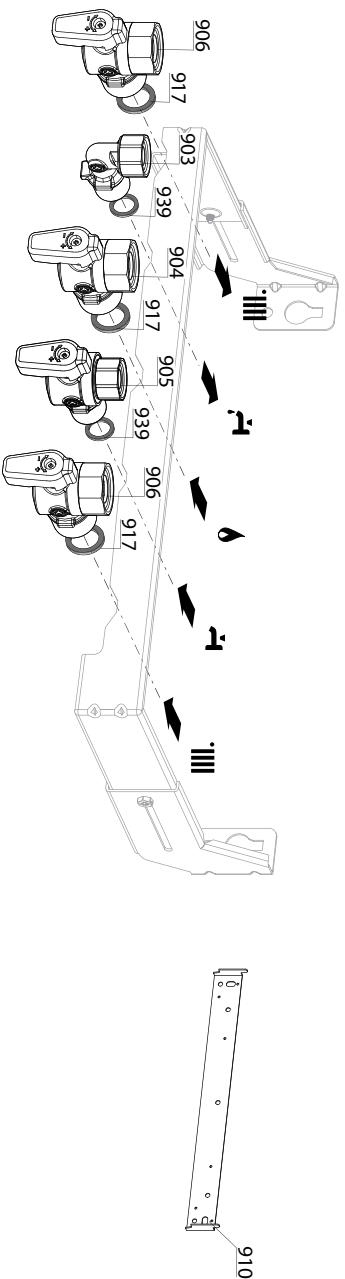
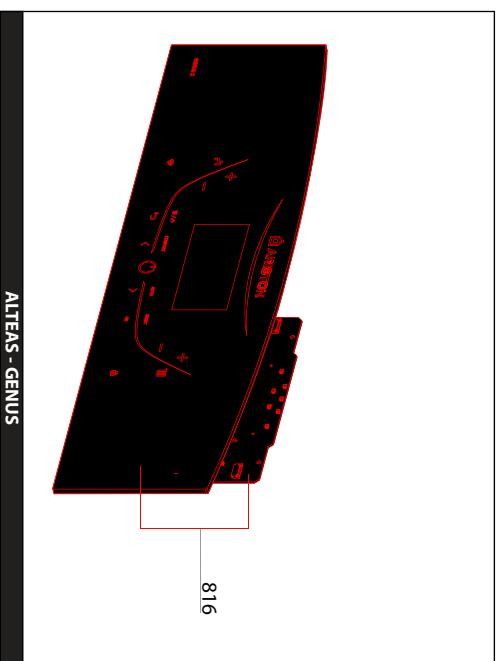
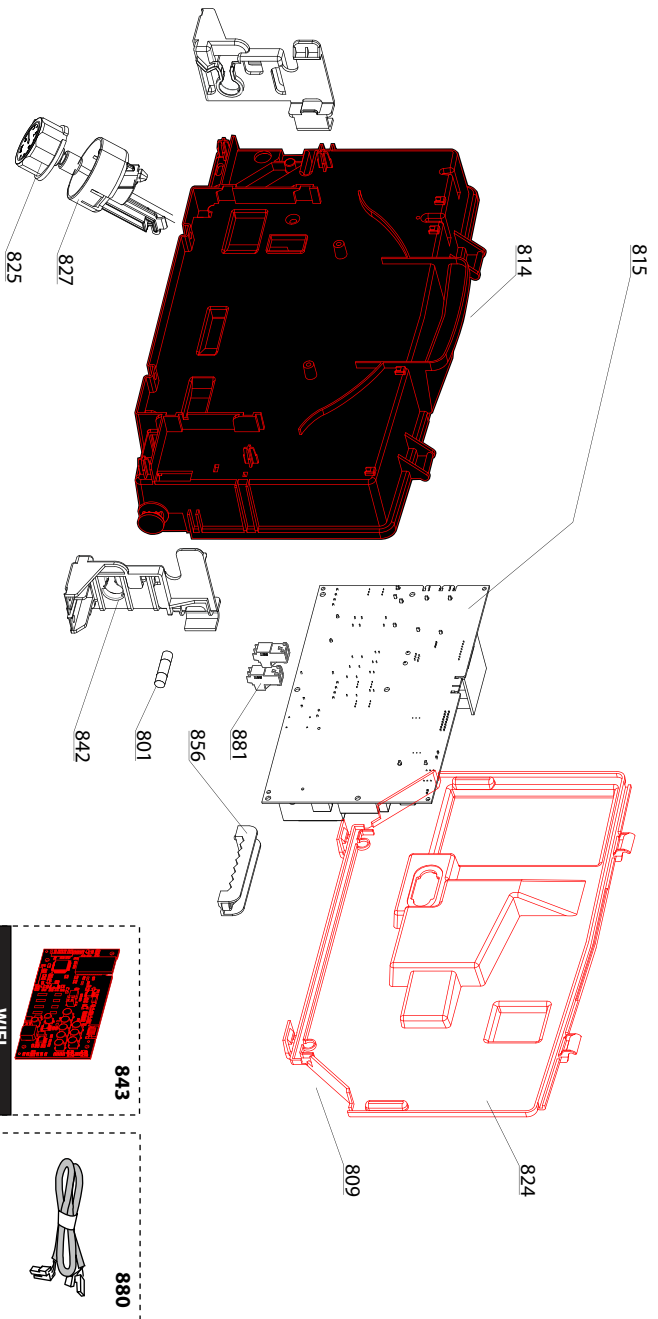
ALTEAS X - GENUS X

R8203463-05 - 24/09/2018

1	3300844	ALTEAS X 24 CF NG	09-2016	-
2	3300846	ALTEAS X 30 CF NG	09-2016	-
3	3300845	ALTEAS X 24 FF NG	09-2016	-
4	3300847	ALTEAS X 30 FF NG	09-2016	-
5	3300848	ALTEAS X 32 FF NG	09-2016	-
6	3300849	ALTEAS X 35 FF NG	09-2016	-
7	3300850	GENUS X 24 CF NG	09-2016	-
8	3300852	GENUS X 30 CF NG	09-2016	-
9	3300851	GENUS X 24 FF NG	09-2016	-
10	3300853	GENUS X 30 FF NG	09-2016	-
11	3300854	GENUS X 32 FF NG	09-2016	-
12	3300855	GENUS X 35 FF NG	09-2016	-
Col	Reference	Model type	Begin	End







☞	Description	Manf. Pt. N	Type	<div style="display: flex; justify-content: space-between; font-size: small; text-align: center;"> ALTEAS X 24 CF ALTEAS X 30 CF ALTEAS X 24 FF ALTEAS X 30 FF ALTEAS X 32 FF GENIUS X 35 FF GENIUS X 24 CF GENIUS X 30 CF GENIUS X 24 FF GENIUS X 30 FF GENIUS X 35 FF </div>																		From	to
				1	2	3	4	5	6	7	8	9	10	11	12	13	14	15	16	17	18		
0800	ЭЛЕКТРИЧЕСКАЯ ЧАСТЬ																						
0809	ЗАГЛУШКА	998382		●	●	●	●	●	●	●	●	●	●	●	●	●	●	●	●				
0814	КОРПУС БЛОКА УПРАВЛЕНИЯ (FRONT)	65115784		●	●	●	●	●	●	●	●	●	●	●	●	●	●	●	●				
0815	ОСНОВНАЯ ПЛАТА	65115783-01		●	●	●	●	●	●	●	●	●	●	●	●	●	●	●	●				
0816	ПЛАТА ДИСПЛЕЯ	65115778-01		●				●	●														
	ПЛАТА ДИСПЛЕЯ	65115779-01		●		●	●																
	ПЛАТА ДИСПЛЕЯ	65115780-01									●								●				
	ПЛАТА ДИСПЛЕЯ	65115781-01									●		●	●									
0824	КОРПУС ПАНЕЛИ УПРАВЛЕНИЯ (REAR)	65115785		●	●	●	●	●	●	●	●	●	●	●	●	●	●	●	●				
0825	МАНОМЕТР	65114200		●	●	●	●	●	●	●	●	●	●	●	●	●	●	●	●				
0827	КРОНШТЕЙН МАНОМЕТРА	65115809		●	●	●	●	●	●	●	●	●	●	●	●	●	●	●	●				
0842	БОКОВОЙ ФИКСАТОР ПАНЕЛИ УПРАВЛЕНИЯ	65115810			●			●	●			●			●			●	●				
	БОКОВОЙ ФИКСАТОР ПАНЕЛИ УПРАВЛЕНИЯ	65115811		●		●				●			●		●				●				
0843	ПЛАТА WI-FI	65115825		●	●	●	●	●	●														
0856	ЗАЖИМ ДЛЯ КАБЕЛЯ	65103377		●	●	●	●	●	●	●	●	●	●	●	●	●	●	●	●				
0880	КАБЕЛЬ 3-Х ХОДОВОГО КЛАПАНА	65115790		●	●	●	●	●	●	●	●	●	●	●	●	●	●	●	●				
	КАБЕЛЬ ЭЛЕКТРОДА ИОНИЗАЦИИ	60001883		●	●	●	●	●	●	●	●	●	●	●	●	●	●	●	●				
	КАБЕЛЬ ДИСПЛЕЯ (5 WIRES BLUES)	60000746		●	●	●	●	●	●	●	●	●	●	●	●	●	●	●	●				
	КАБЕЛЬ ЗАЗЕМЛЕНИЯ	65104286		●	●	●	●	●	●	●	●	●	●	●	●	●	●	●	●				
	КАБЕЛЬ ВЕНТИЛЯТОРА	60001902				●	●	●	●				●	●	●	●	●	●	●				
	КАБЕЛЬ ПИТАНИЯ 240V	60001619		●	●	●	●	●	●	●	●	●	●	●	●	●	●	●	●				
	КАБЕЛЬ ДАТЧИК ТЕМП. - ПНЕВМОРЕЛЕ	65115787				●	●	●	●				●	●	●	●	●	●	●				
	КАБЕЛЬ ДАТЧИК ТЕМП. - ПНЕВМОРЕЛЕ	65115789		●	●						●	●											
	КАБЕЛЬ НАСОСА 1V ENER+	60001887	ENER +	●	●	●	●	●	●	●	●	●	●	●	●	●	●	●	●				
	КАБЕЛЬ ПЛАТЫ WI-FI	65115826		●	●	●	●	●	●														
0881	КОННЕКТОР 2P	65111933		●	●	●	●	●	●	●	●	●	●	●	●	●	●	●	●				
	КОННЕКТОР 3P (x5)	65111934-01		●	●	●	●	●	●	●	●	●	●	●	●	●	●	●	●				
0900	МОНТАЖНЫЕ АКСЕССУАРЫ																						
0903	ПАТРУБОК ПОДКЛЮЧЕНИЯ ГВС	60000891		●	●	●	●	●	●	●	●	●	●	●	●	●	●	●	●				
0904	КРАН ГАЗА	60000898		●	●	●	●	●	●	●	●	●	●	●	●	●	●	●	●				
0905	КРАН ХОЛОДНОЙ ВОДЫ	60000894		●	●	●	●	●	●	●	●	●	●	●	●	●	●	●	●				
0906	КРАН ПОДАЧИ/ВОЗВРАТА ТЕПЛОНОСИТЕЛЯ	60000885		●	●	●	●	●	●	●	●	●	●	●	●	●	●	●	●				
0910	КРОНШТЕЙН	60000625		●	●	●	●	●	●	●	●	●	●	●	●	●	●	●	●				
0917	ПЛОСКАЯ ПРОКЛАДКА D:24-17-1.5	60061855-19		●	●	●	●	●	●	●	●	●	●	●	●	●	●	●	●				
0939	ПЛОСКАЯ ПРОКЛАДКА D:18.4-12.2-1.5	60061855-14		●	●	●	●	●	●	●	●	●	●	●	●	●	●	●	●				

LIST OF THE ABBREVIATIONS

HW	: Hot water.
CW	: Cold water.
C	: Ceramic resistance (normal heating).
Ca	: Ceramic resistance (accelerated heating)
TP	: Immersion heater.
1F	: With fittings.
2F	: Without fittings.
3F	: With fittings and another outlet connection.
AMI	: With mixing valve.
SMI	: Without mixing valve.
PUISS	: Power of th appliance.
PN	: Appliance with normal pression.
LP	: Appliance with low pression.
PV	: Appliance with variable power.
PF	: Appliance with fixed power.

IDENTIFICATION PLATE

SERIAL NUMBER

10 Characters :	04 05 125 011	
		Sequential number
		Manufacturing day
		Year of manufacture
11 Characters :	1 95 065004 - 31	
Month of manufacture :		Technical number of the appliance
from 1 to 9 → Jan. to Sep.,		Sequential number
O → Oct., N → Nov.,		Year of manufacture
D → Dec.		
19 Characters :	08 05 0013199 900640031	
Year of manufacture		Product reference
Month of manufacture		Sequential number
20 Characters :	3675007 XX 2 07 070 00315	
Product reference		Sequential number
Millenium of manufacture		Manufacturing day
		Year of manufacture
21 Characters :	3675007 XX 07 070 0000315	
Product reference		Sequential number
Year of manufacture		Manufacturing day